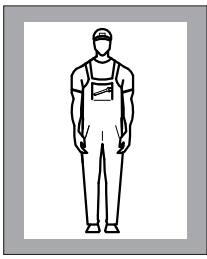





GESSI[®]

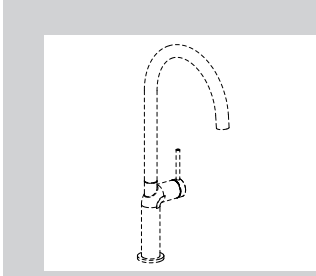
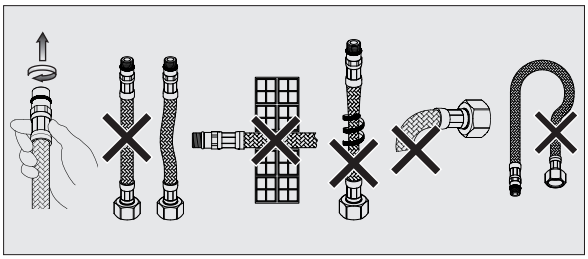
TECHNOLOGY
FOR THE KITCHEN



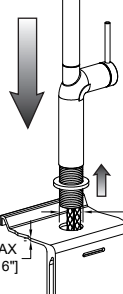
Gessi SpA
Parco Gessi 13037 Serravalle Sesia (Vercelli) - Italy
Phone +39 0163 454111 - Fax +39 0163 459273
www.gessi.com - gessi@gessi.it




 Max 70° Celsius
 Max 158° Fahrenheit

 5° - 60° Celsius
 41° - 140° Fahrenheit
 3 bar
 43 psi

 Max 5 bar
 Max 72 psi



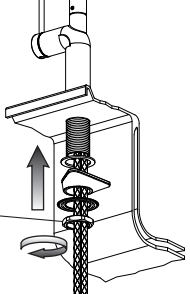
1



40 MAX [1-9/16"]

Ø35 [1-3/8"D.]

2



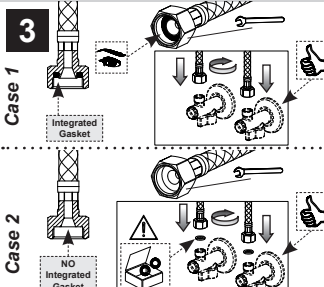
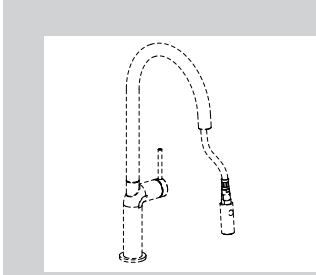
3

Case 1

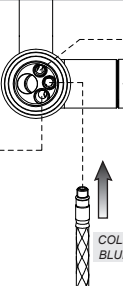
Integrated Gasket

Case 2

NO Integrated Gasket

1



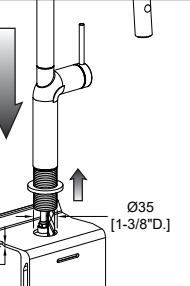
40 MAX [1-9/16"]

Ø35 [1-3/8"D.]

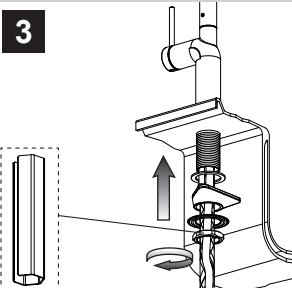
HOT RED

COLD BLUE

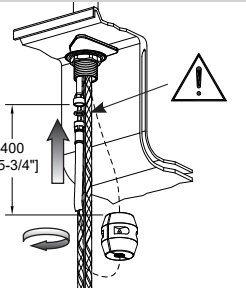
2



3



4



400 [15-3/4"]

5

Case 1

Integrated Gasket

Case 2

NO Integrated Gasket

